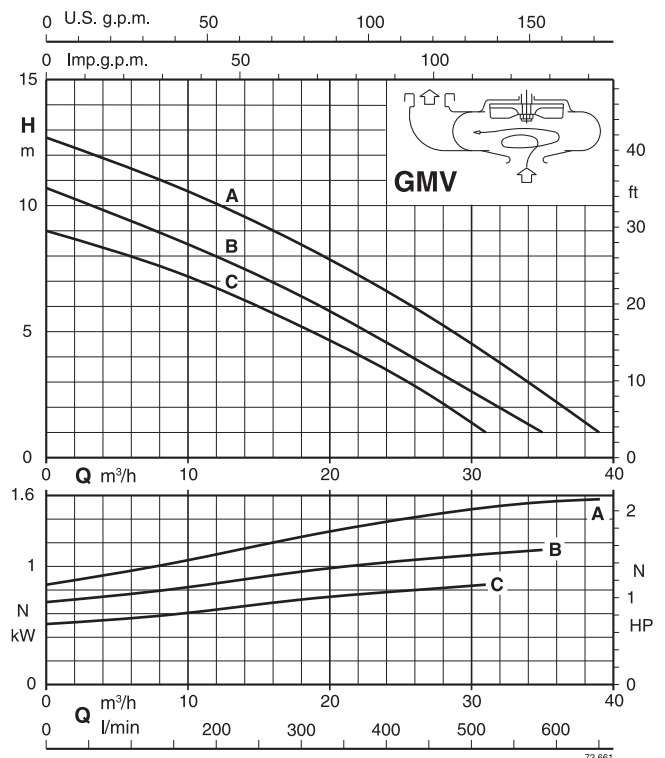
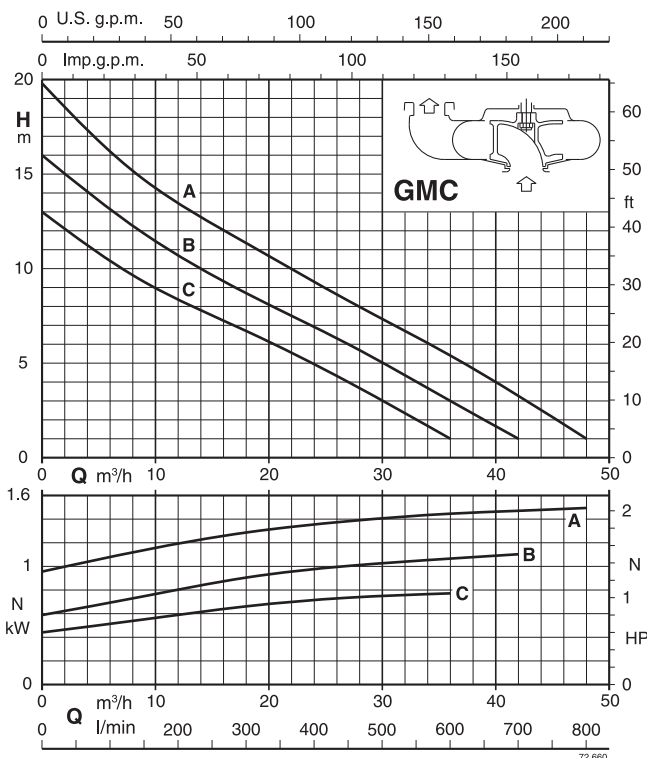


Submersible Drainage Pumps 沉水式排水泵浦



Coverage chart - 性能總表

$n \approx 3450$ rpm



Construction

Close-coupled electric submersible pumps.

GMC: with single-channel impeller.

GMV: with free-flow (vortex) impeller.

Connections: threaded ports **ISO 228/1**.

threaded ports **NPT** (ANSI/ASME B1.20.1) on request

Double mechanical seal with interposed oil chamber, to protect against dry-running.

Applications

For domestic or industrial waste water, dirty water with solids up to 45 mm grain size for GMC and 50 mm for GMV, for liquids which are compatible with the pump materials.

Operating conditions

Liquid temperature up to 35° C.

pH value: 6-11.

Maximum immersion depth: 10 m (with suitable cable length).

Continuous duty (with submerged motor).

Motor

2-pole induction motor, 60 Hz ($n \approx 3450$ rpm).

GMC, GMV: three-phase 220 V.

three-phase 380 V.

three-phase 440 V.

2 built-in thermal protector to be connected to a control box.

Cable: length 10 m.

GMCM, GMVM: single-phase 220 V, with float switch,

built-in thermal protector and built-in capacitor.

Cable: length 10 m, with plug (CEI-UNEL 47166).

Insulation class F.

Protection IP X8.

Triple impregnation, humidity-proof winding.

Constructed in accordance with: EN 60335-2-41.

Other features on request

- Other voltages.

- Motor suitable for operation with frequency converter.

Materials

Components	Material
Pump casing Casing cover Impeller Motor housing Motor cover	Cast iron GJL 200 EN 1561
Shaft	Chrome steel 1.4104 EN 10088 (AISI 430)
Mechanical seal: Upper Lower	Carbon, ceramic, NBR Silicon carbide, silicon carbide, NBR
Seal lubrication oil	Oil for food machinery and pharmaceutical use

結構

直結電動沉水式泵浦

GMC: 單流道葉片

GMV: 渦流式葉片

連接口：牙口 **ISO 228/1**.

牙口 **NPT**(ANSI/ASME B1.20.1)依需求提供。

雙機械軸封含注油室，可保護避免乾轉。

應用

- GMC適用於含有最大固體粒徑45mm之家庭、工業廢水及符合泵浦相容液體之應用。

- GMV適用於含有最大固體粒徑50mm之家庭、工業廢水及符合泵浦相容液體之應用。

操作條件

液體溫度至35°C

pH值：6-11

泵浦放置最大深度：10m(選用適當長度電纜線)

泵浦放置最小深度：275mm

連續運轉(搭配沉水式馬達)

馬達

2極感應電動馬達，60Hz($n \approx 3450$ rpm)

GMC, GMV: 三相220V

三相380V

三相440V

內建兩個過熱保護器連接控制盒

電纜線：長度為10m

GMCM, GMVM: 單相220V，配有浮球開關

內建過熱保護器及電容器

電纜線：長度為10m，

含插頭CEI-UNEL 47166

絕緣等級：F

保護等級：IP X8(長期浸水之規範)

三層防潮乾燥線圈

結構設計符合EN 60335-2-41之規範

可依需求客製

- 其他電壓值

- 馬達搭配變頻器

材質

零件	材質
泵浦外殼 泵浦外罩 葉片 馬達外罩 馬達上蓋	鑄鐵 GJL 200 EN 1561
軸心	不鏽鋼 1.4104 EN 10088 (AISI 430)
機械軸封：上/下	碳精/陶瓷/NBR 矽化碳/矽化碳/NBR
軸封潤滑油	食品/藥品機械用油

Performance - 性能

n ≈ 3450 rpm

3~	1~	P ₂		Q m ³ /h l/min	6	12	18	24	30	36	42	48
		kW	HP		100	200	300	400	500	600	700	800
GMC 50CE-60 GMC 50-65C-60	GMCM 50CE-60 GMCM 50-65C-60	0,75	1	H m	10	8	6,5	5	3	1		
					13	10,5	8,5	6,5	5	3	1	
GMC 50BE-60 GMC 50-65B-60	GMCM 50BE-60 GMCM 50-65B-60	1,1	1,5		16	13,5	11	9	7,5	5,5	3	1
GMC 50AE-60 GMC 50-65A-60		1,5	2									

3~	1~	P ₂		Q m ³ /h l/min	6	12	18	24	30	31	35	39
		kW	HP		100	200	300	400	500	516	583	650
GMV 50CE-60 GMV 50-65C-60	GMVM 50CE-60 GMVM 50-65C-60	0,75	1	H m	8	7	5	3,5	1,5	1		
					9,5	8	6,5	4,5	2,5	2,3	1	
GMV 50BE-60 GMV 50-65B-60	GMVM 50BE-60 GMVM 50-65B-60	1,1	1,5		11,5	10	8,5	6,5	4,3	4	2,5	1
GMV 50AE-60 GMV 50-65A-60		1,5	2									

P₂ Rated motor power output.
馬達額定輸出功率。

Kinematic viscosity ν = max 20 mm²/sec.
運動黏性 ν = max 20 mm²/sec.

Density ρ = 1000 kg/m³
密度 ρ = 1000 kg/m³

Tolerances according to UNI EN ISO 9906:2012.
水量誤差值依據UNI EN ISO 9906:2012之標準。

Rated currents - 額定電流

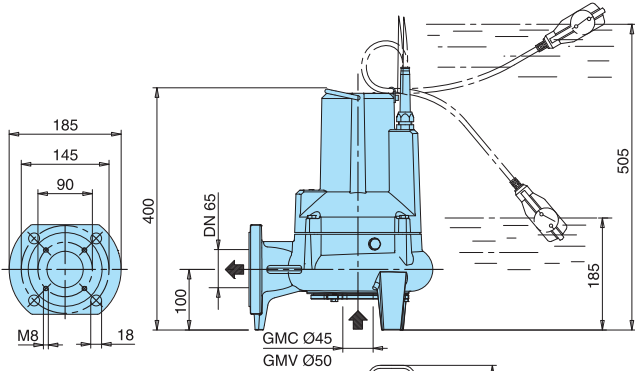
P ₂		single-phase - 單相 220 V				I _A /I _N
kW	HP	I _N A	Capacitor 電容器 450 Vc	Cable 電纜線 H07RN-F		
0,75	1	5,4	16 μ F	3G1	3,1	
1,1	1,5	7,5	12.5 μ F x2	3G1.5	3,2	

P ₂		three-phase - 三相 3~					I _A /I _N
kW	HP	220 V I _N A	380 V I _N A	440 V I _N A	Cable 電纜線 H07RN-F		
0,75	1	4,1	2,4	2,1	4G1.5 + 2x0.5	3,2	
1,1	1,5	5,6	3,2	2,8	4G1.5 + 2x0.5	3,2	
1,5	2	8	4,6	4,0	4G1.5 + 2x0.5	3,3	

P₂ Rated motor power output.
馬達額定輸出功率。

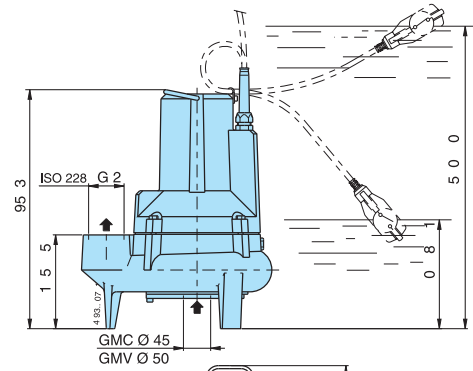
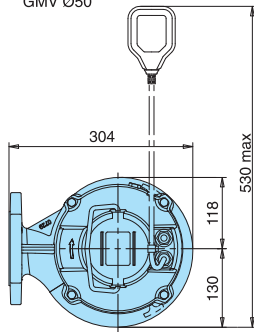
I_A/I_N D.O.L. starting current / Rated current
啟動電流 / 額定電流。

Dimensions and weights - 尺寸及重量



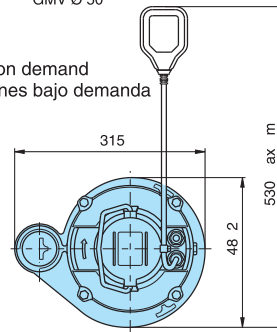
	kg
GMV 50-65C-60	29
GMV 50-65B-60	30
GMV 50-65A-60	31,5
GMVM 50-65C-60	29
GMVM 50-65B-60	30,5

	kg
GMC 50-65C-60	30
GMC 50-65B-60	31
GMC 50-65A-60	32,5
GMCM 50-65C-60	30
GMCM 50-65B-60	31,5



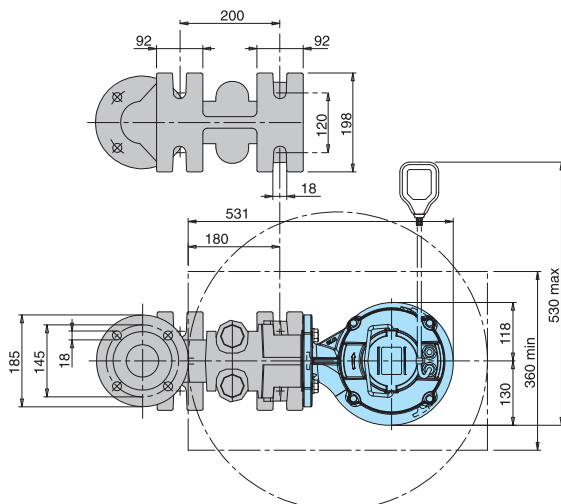
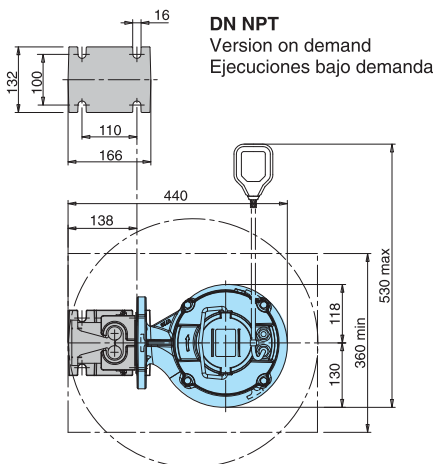
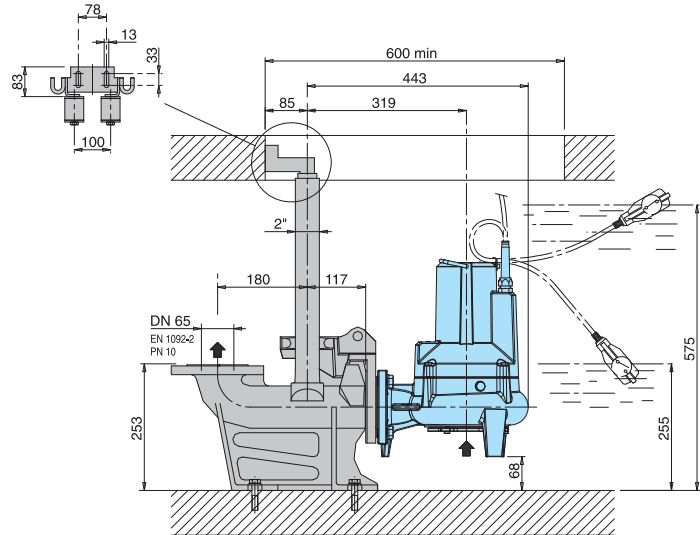
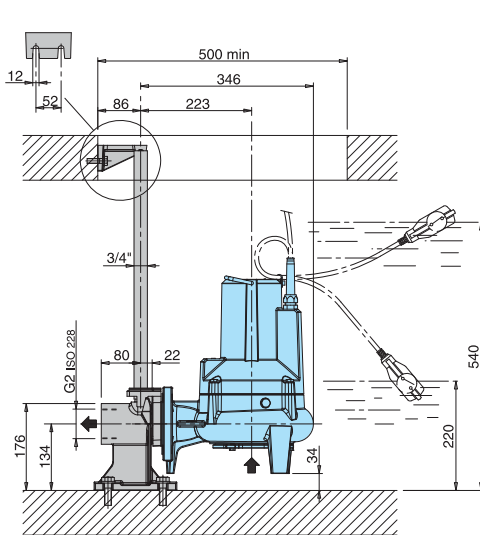
DN NPT
Version on demand
Ejecuciones bajo demanda

	kg
GMV 50CE-60	27
GMV 50BE-60	28
GMV 50AE-60	29,5
GMVM 50CE-60	27
GMVM 50BE-60	28,5

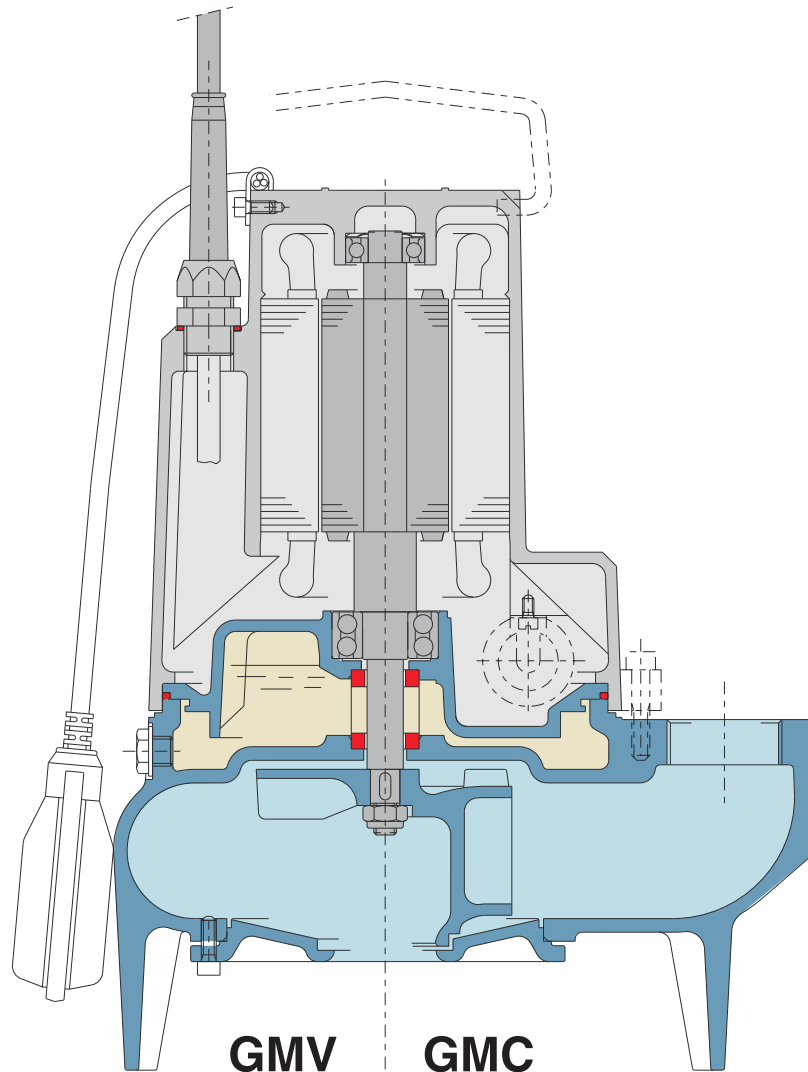


	kg
GMC 50CE-60	28
GMC 50BE-60	29
GMC 50AE-60	30,5
GMCM 50CE-60	28
GMCM 50BE-60	29,5

Dimensions with duck foot coupling - 附著脫之尺寸



Features - 特色



Safety

The double mechanical seal with oil chamber ensures safe separation separating the motor from water and providing further protection against accidental operation when dry.

Reliability

The lower double ball bearing ensures high reliability under all operating conditions.

High security

The three-phase motors are equipped with integrated thermistors, which provide the motor with thermal protection. The motor cable is pre-wired to enable the user to connect directly to a control panel, providing easier installation.

Flexible installation

The availability of the pump casing with horizontal or vertical flanged ports allows the installation of pumps in all pits and wells, both small and large sizes. Installation is also possible with a duck foot coupling.

安全

雙機械軸封含注油室，將馬達與水隔離，並進一步保護泵浦避免乾轉。

可靠

下雙管珠軸承在所有操作狀態下，確保高可靠性。

高安全性

三相馬達配有過熱保護器，提供馬達過熱保護，馬達預接電纜線，讓用戶可直接連接至控制面板，安裝更簡便。

靈活安裝

泵浦外殼可採用直立或水平式法蘭接口，使泵浦安裝適用於溝坑或水井，亦可使用著托之安裝。