

**Low-Torque  
Potentiometers**

Series P2200



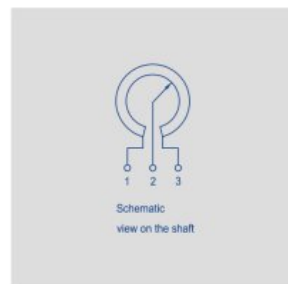
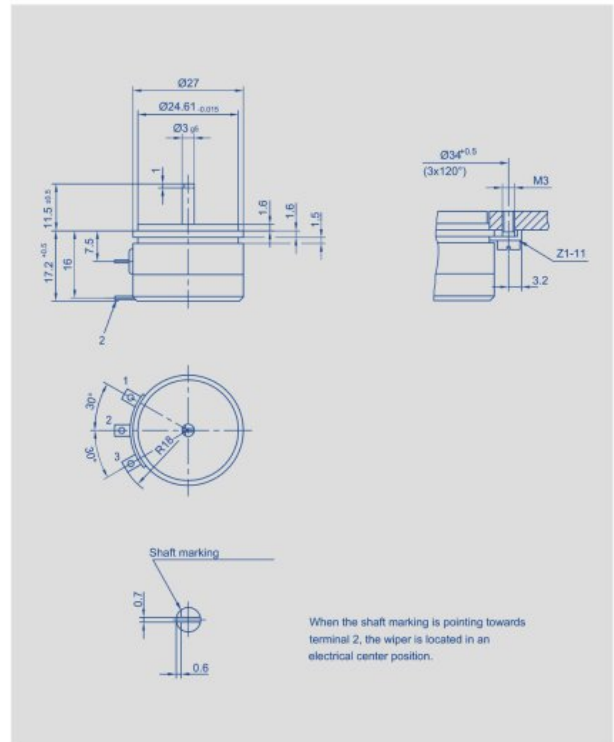
**Special features**

- extremely low torque: 0.003 Ncm
- very long life - 100 x 10<sup>6</sup> movements
- excellent linearity - standard ± 0.1 %
- very good repeatability better than 0.01°
- single integrated main bearing
- shaft with screwdriver slot and marking
- unrestricted continuous rotation

The distinctive features of conductive plastic potentiometers are a single integrated main bearing with very close tolerances and shaft with screw-driver slot combined with a shaft marking for easy identification of the wiper position. Because of its extremely low torque, this potentiometer is particularly suitable for applications where the repercussions of the driving shaft could lead to measuring faults.

The standard version P2201 A502 has a nominal resistance of 5 kΩ.

Special versions with different electrical travels are available.



Description	
Size	servo size 11
Case	two-parts; flange anodized aluminium, cover high-grade temperature-resistant plastic
Shaft	stainless steel with screwdriver slot and marking
Bearings	stainless integrated steel ball bearings, dust-protected
Resistance element	conductive plastic
Wiper assembly	precious metal multi-finger wipers
Electrical connections	terminals gold-plated brass